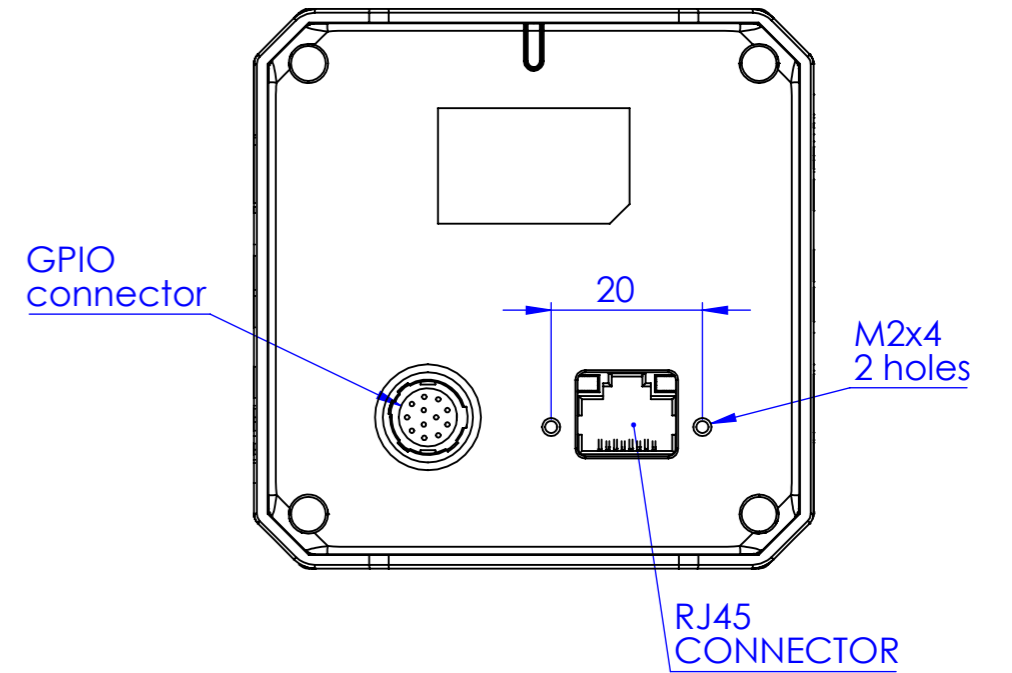
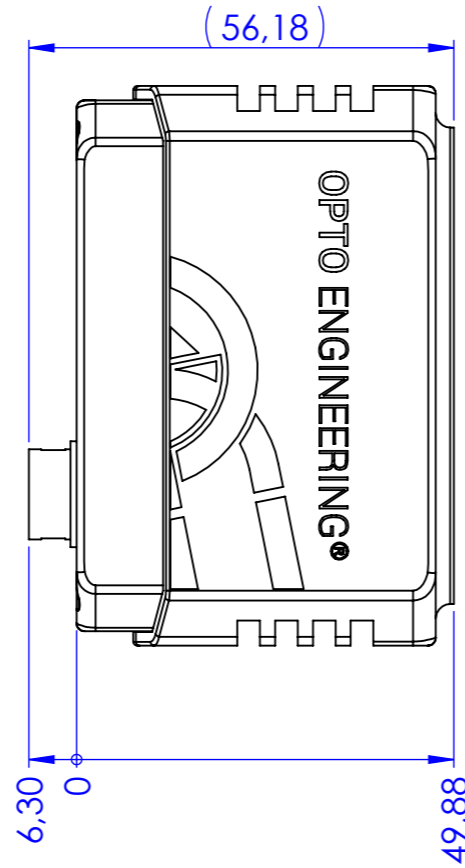
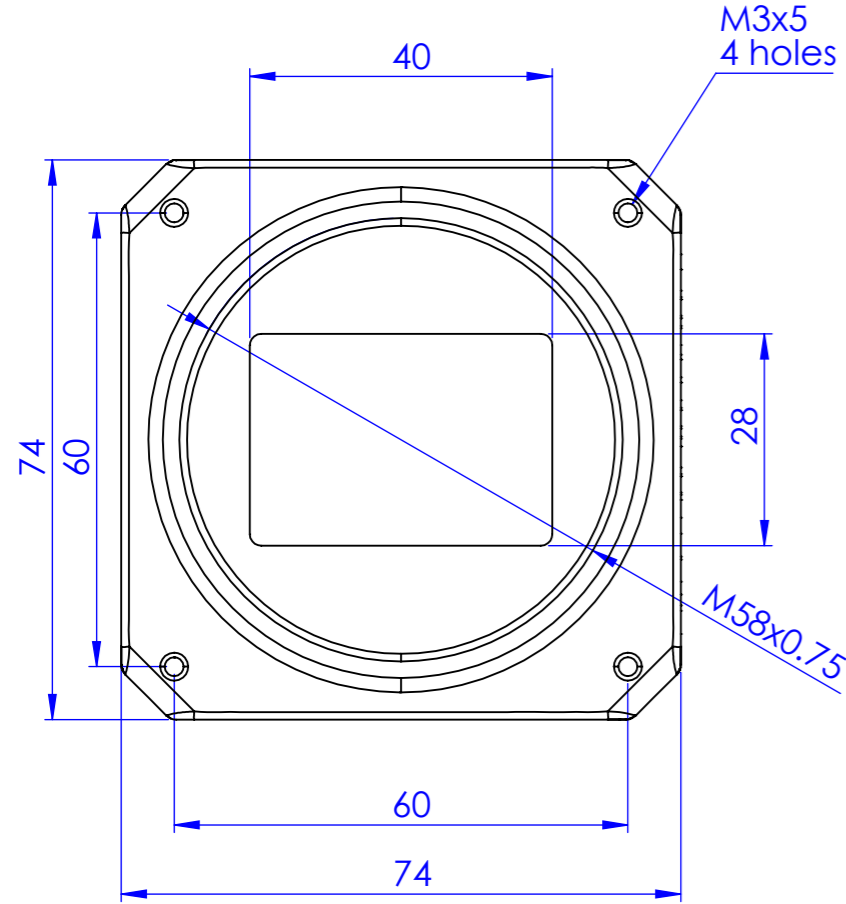
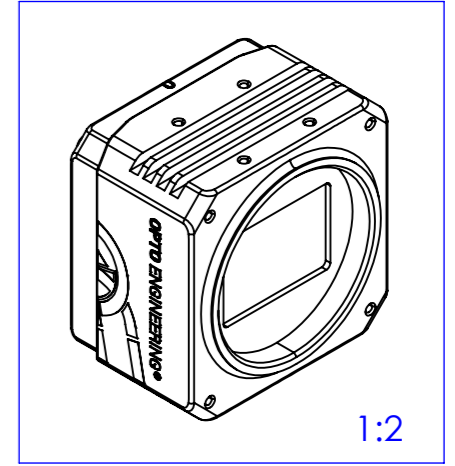
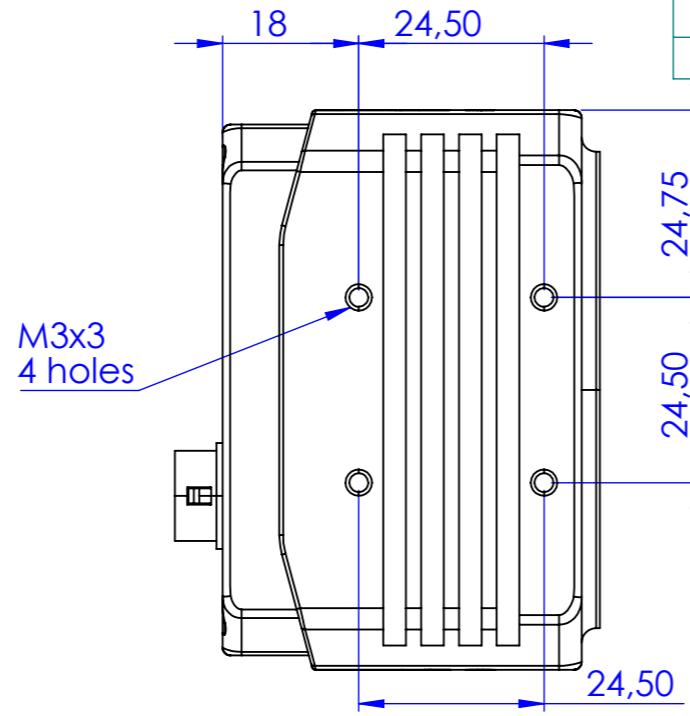


FOR MISSING DIMENSIONS SEE DW28954-A.STEP

Rev No.	Description	Date	Name



Material Materiale <non specificato>		Mass 0 g		Scale 1:1	
Surface treatment N.A.		Part No. CO28954		Description COE-XXX-Y-GIGE-TYPE3 (NO FAN)	
Geometrical tolerance (ISO 2768-2)			Class K	Undimensioned bevels 0,5x45°	Drawing No. DP 28954-A
Linear tolerance (ISO 2768-2)			Class m	Undimensioned radii R 0.5	
0.5 ±3	>3± 6	>6± 30	>30± 120	>120 ±400	>400± 1000
±0.1	±0.1	±0.2	±0.3	±0.5	±0.8
Date			Name		Sheet
Designed 15/04/2019			Rodella		1/1
Drawn 15/04/2019			Rodella		
Checked 16/04/2019			Rodella		
OPTO ENGINEERING S.r.l. - Mantova Italy - Tel. +39 0376 699111 - www.opto-engineering.com					
Secret and confidential - All rights reserved - No copy, dissemination or circulation is allowed unless specifically authorized in writing by OPTO ENGINEERING S.r.l. - Any violation shall be legally prosecuted.					

all dimensions are in mm